

1. Place 2nd/3rd gear shifter fork onto dog ring between countershaft 2nd and 3rd gears.
2. Install shifter drum into left case half with previously scribed line at 12 o'clock position. This will place shifter drum in neutral position.

NOTE

See [Figure 6-70](#). Install shifter fork shafts in the left case half by lightly tapping on the end of the shaft with a brass or hard plastic hammer until shaft is seated in bore.

3. Place 1st gear shifter fork onto dog ring between countershaft 1st and 4th gear gears. Install shifter fork shaft through two installed shifter forks and into left crankcase half.
4. Install 4th/5th gear shifter fork onto sliding gear with dogs located on mainshaft. Install remaining shifter fork shaft through last installed shifter fork and into left crankcase half.

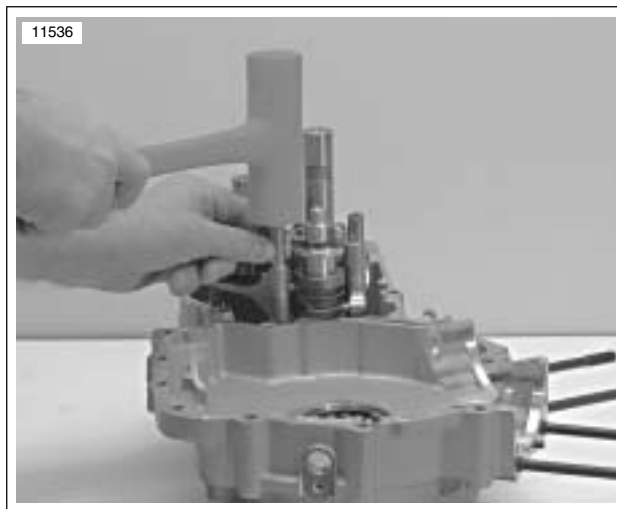


Figure 6-70. Installing Shifter Fork Shafts

ASSEMBLING CRANKCASES

PART NO.	SPECIALTY TOOL
B-45520	Gear detent assembly aid
HD-42326-A	Crankshaft guide tool

NOTE

See [Figure 6-71](#). The GEAR DETENT ASSEMBLY AID is used to move the gear detent lever clear of the shifter drum for assembly purposes.

1. See [Figure 6-71](#). Retract detent assembly in right case half and thread GEAR DETENT ASSEMBLY AID into neutral switch hole until it has bottomed in right case half.
2. See [Figure 6-72](#). Install flywheel assembly into right crankcase half.

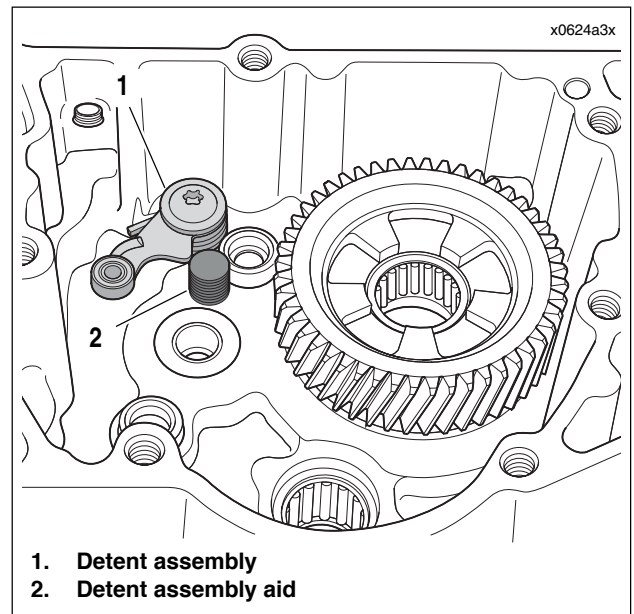


Figure 6-71. Using Gear Detent Assembly Aid (Part No. B-45520)

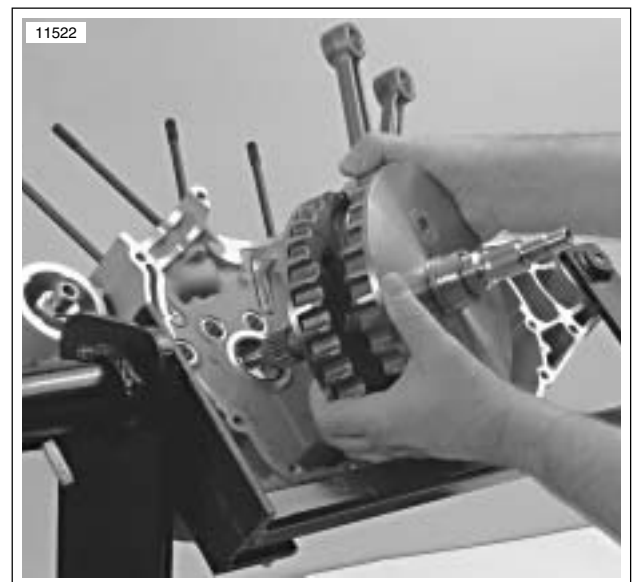


Figure 6-72. Installing Flywheel Assembly In Right Crankcase