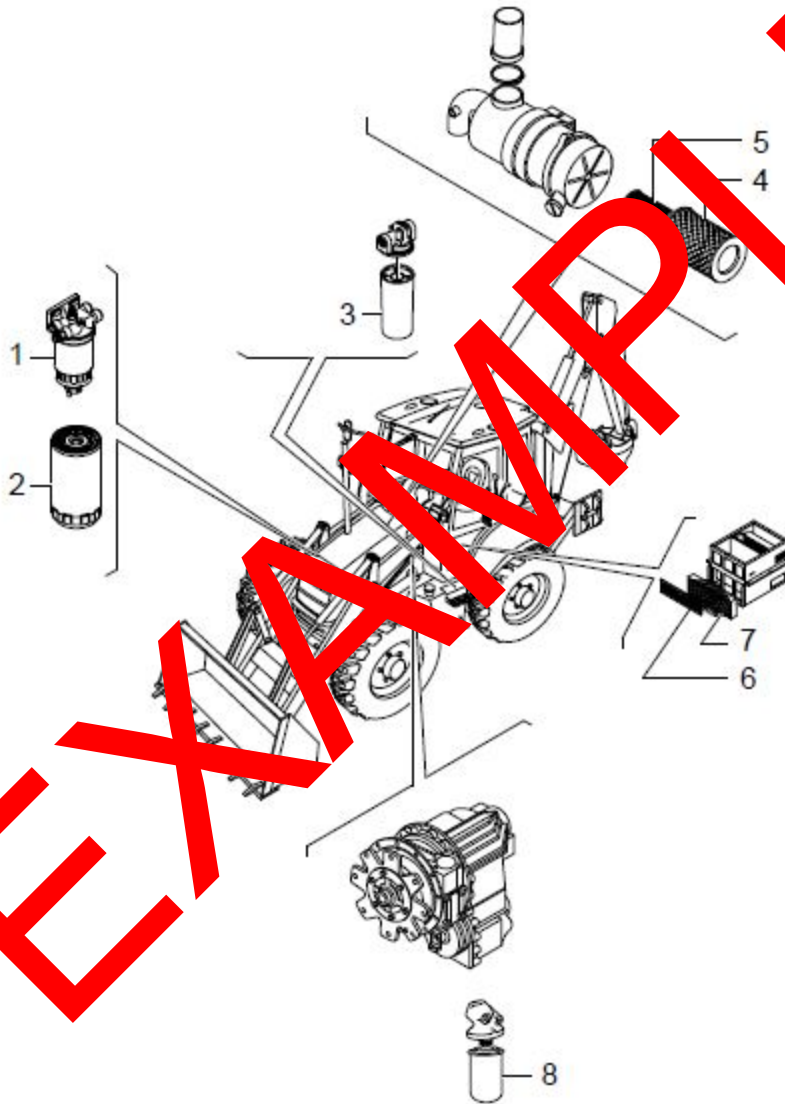


MAINTENANCE PARTS



MAINTENANCE PARTS

REF	FN	PART NUMBER	YR/SN	QTY	DESCRIPTION
1	1	1930010		1	FILTER, FUEL
2	2	87803260		1	FILTER, ENGINE OIL
3	3	86989733		1	FILTER, ELEMENT
4	4	87438249		1	FILTER, ELEMENT
5	5	87438246		1	FILTER, ELEMENT
6	6	85826026		1	FILTER, AIR
7	7	85826032		1	FILTER, AIR
8	8	85817004		1	FILTER
8	9	9968988		1	FILTER, HYDRAULIC OIL

(1) See Page 0.200 Ref : 6

(2) See Page 0.302 Ref : 1

(3) See Page 1.821.6 Ref : 6

(4) See Page 1.19.1 Ref : 4

(5) See Page 1.19.1 Ref : 3

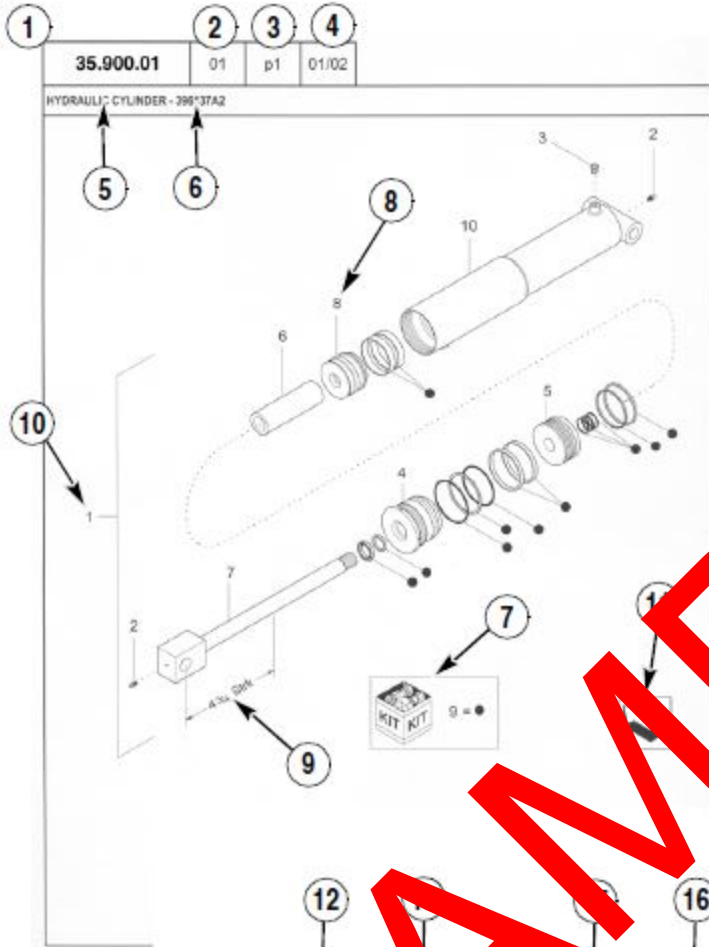
(6) See Page 1.94.2 Ref : 4

(7) See Page 1.94.2 Ref : 2

(8) Power Shuttle 2 WD See Page 1.28.0/ A Ref : 14 And 4 WD See Page 1.28.0/ B Ref : 14

(9) Power Shift See Page 1.28.0/ C Ref : 14

How to Use Your Parts Catalog



REF	FN	PART NUMBER	YR/SN	QTY	DESCRIPTION
1		396137A2	BTW 01/85 & 02/02	1	CYLINDER ASSY. 4-3/4 in strk, Inc 2-10
2		2175	Before 01/85	2	FITTING
3		2175	From 01/85	2	NIPPLE, LUBE Grease, 1/4 tpr x 17/32
4		{402475A2}		1	BREATHER
5		402474A		1	CAP CYLINDER END
6		402468A1	BSN JJC0189200	1	PISTON ROD/GLAND
7		145221C3	ASN JJC0189200	1	PISTON
8		402471A1		1	SPACER
9		402473A1		1	ROD, PISTON
10		402469A1		1	PISTON ROD/GLAND
11		402476A1		1	PACKAGE, SEALS
12	(1)	NSS		1	NOT SERVICED SEPARAT CASE ASSEMBLY
13					
14					
15					
16					
17					
18					
19					
20					

EXAMPLE

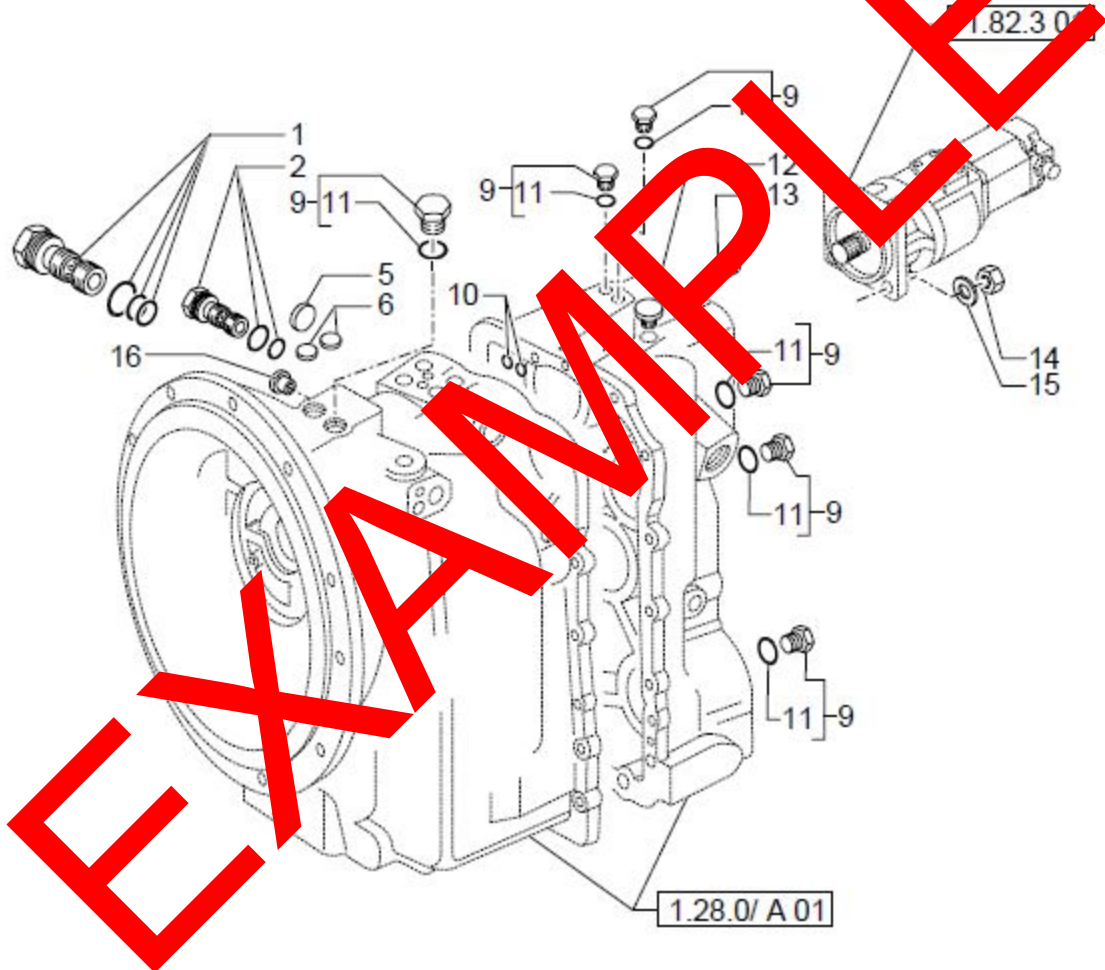
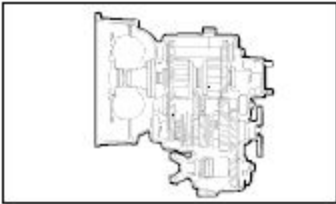
1.28.0/ A

02

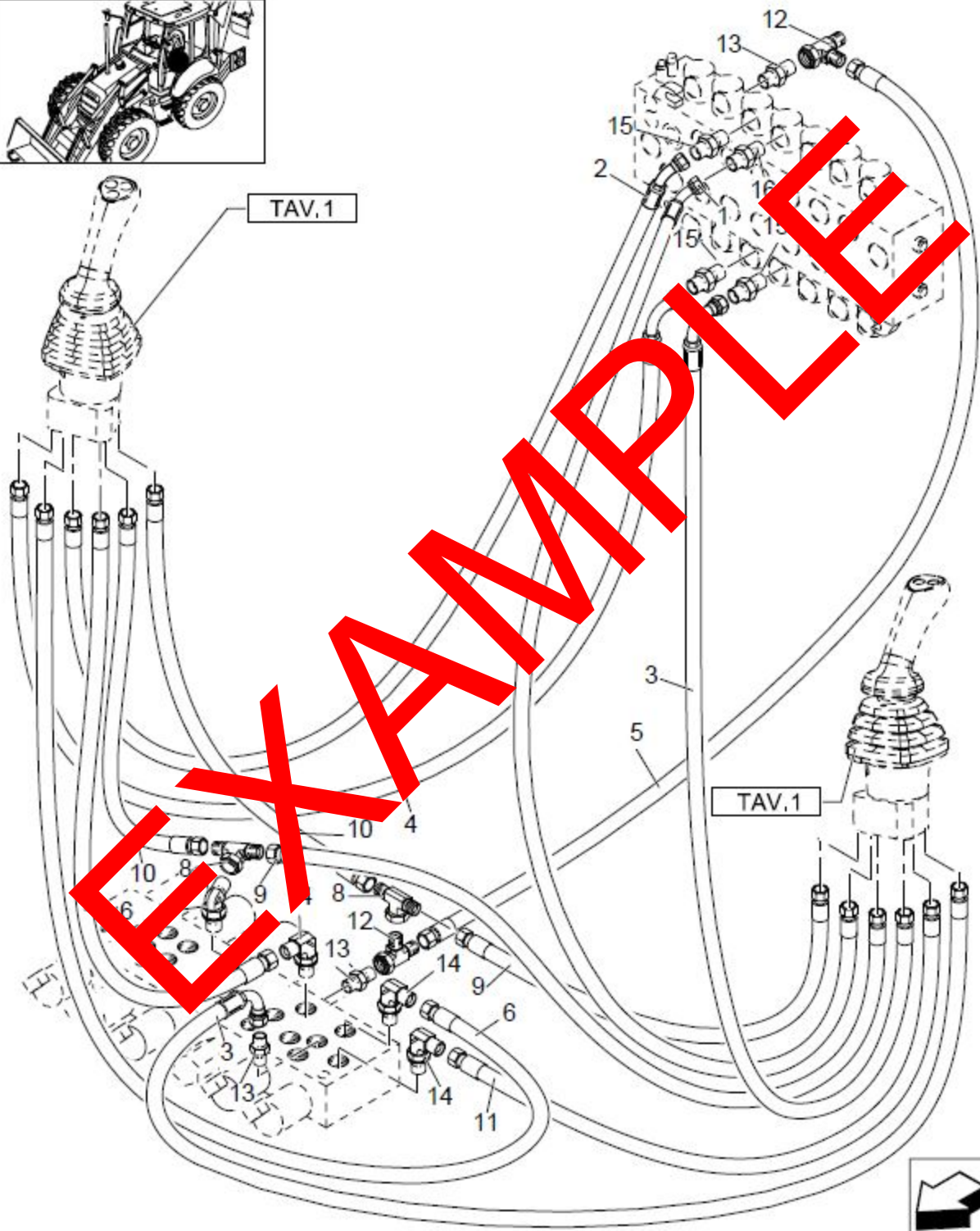
p1

12/05

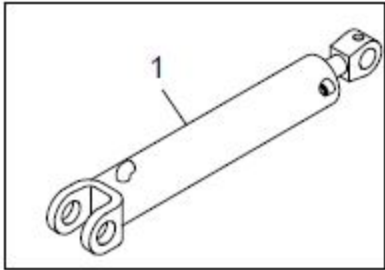
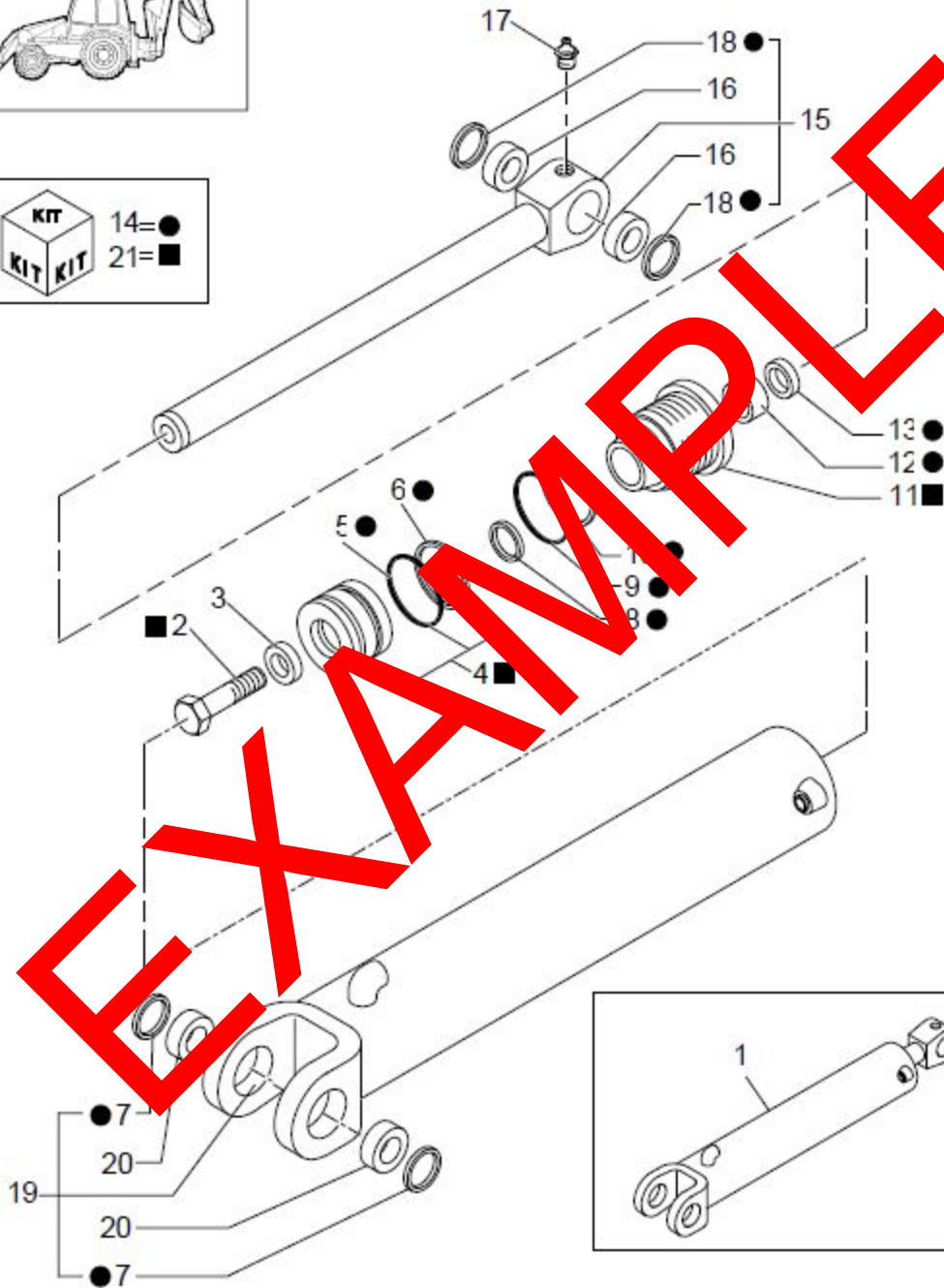
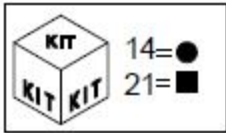
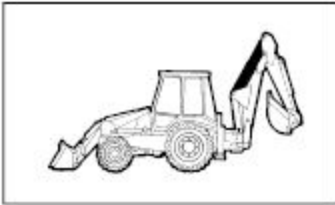
TRANSMISSIONGEARING SPEED GEAR (2WD POWER-SHUTTLE)



7 SECTION PILOT CONTROL VALVE SUPPORT, COMPLETE



HYDRAULIC DITCHING CYLINDER



COOLERS

