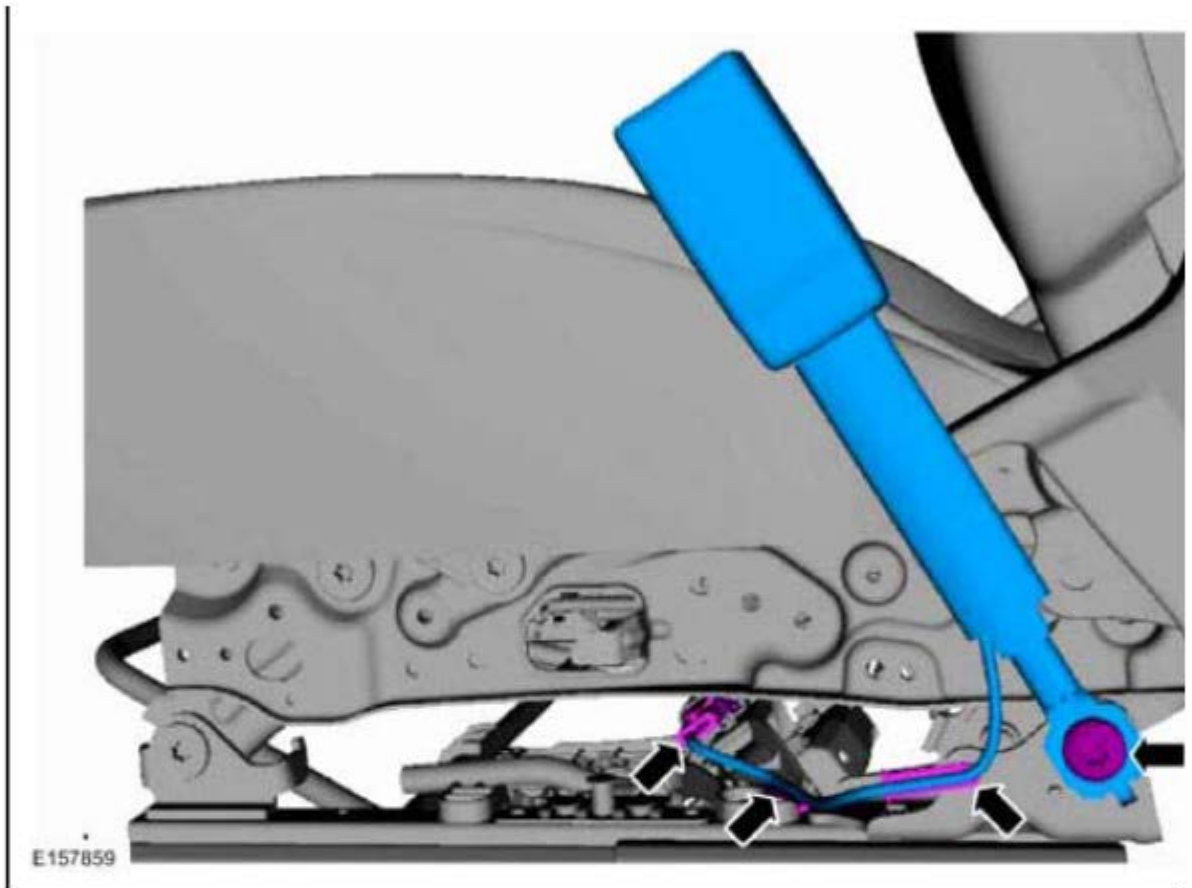


E159968

Item	Description
1	Air Conditioning (A/C) Compressor
2	Evaporator Inlet and Outlet Manifold
3	Climate Control Housing
4	Thermostatic Expansion Valve
5	Air Conditioning (A/C) Compressor Inlet Line
6	Air Conditioning (A/C) Compressor Outlet Line
7	Receiver Drier Element
8	Condenser
9	Ambient Air Temperature Sensor
10	Air Conditioning (A/C) Pressure Transducer
11	Condenser Outlet Line

1.6L GTDI vehicles equipped with Auto Start Stop



Installation

- NOTE:** During installation, make sure the safety belt webbing is not twisted and the safety belts and buckles are accessible to the occupants.
- 1.

To install, reverse the removal procedure

2. Check the active restraint system for correct operation.

Refer to: [SAFETY BELT SYSTEM](#).

SAFETY BELT SHOULDER HEIGHT ADJUSTER

Removal

NOTE: Removal steps in this procedure may contain installation details.

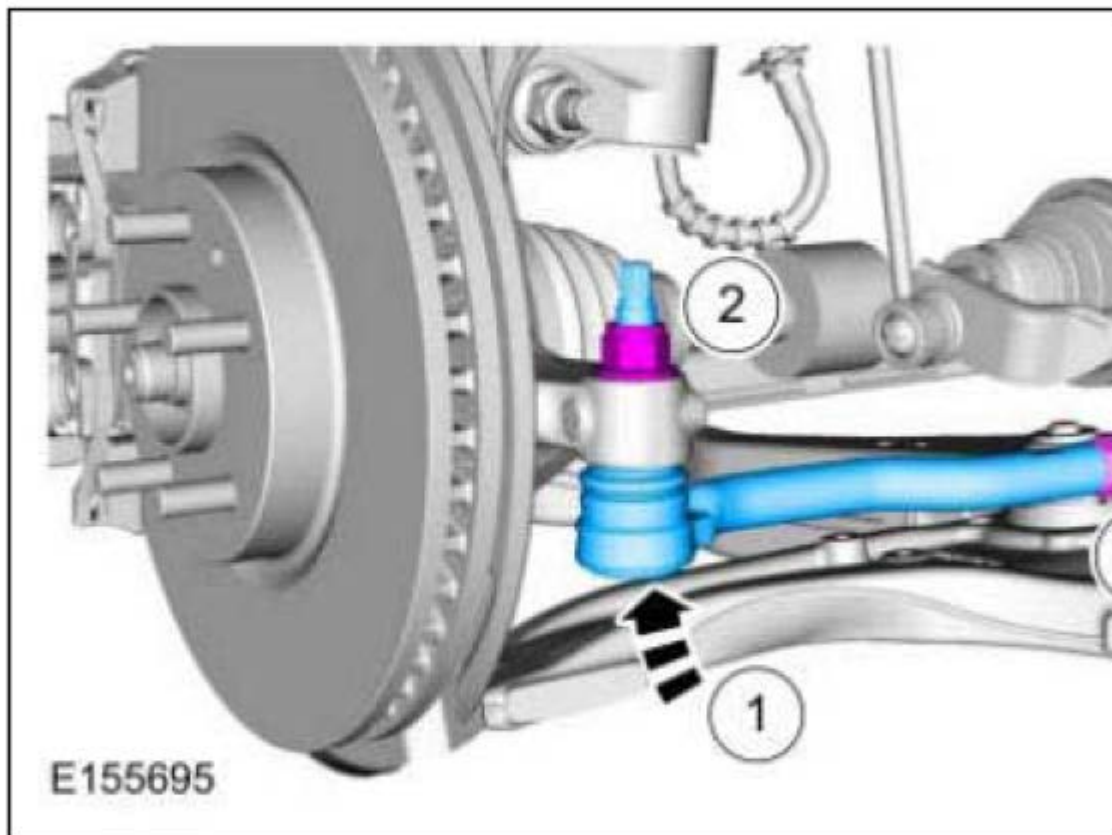
- 1.

NOTE: Install the outer tie rod the same number of turns recorded during removal.

5.

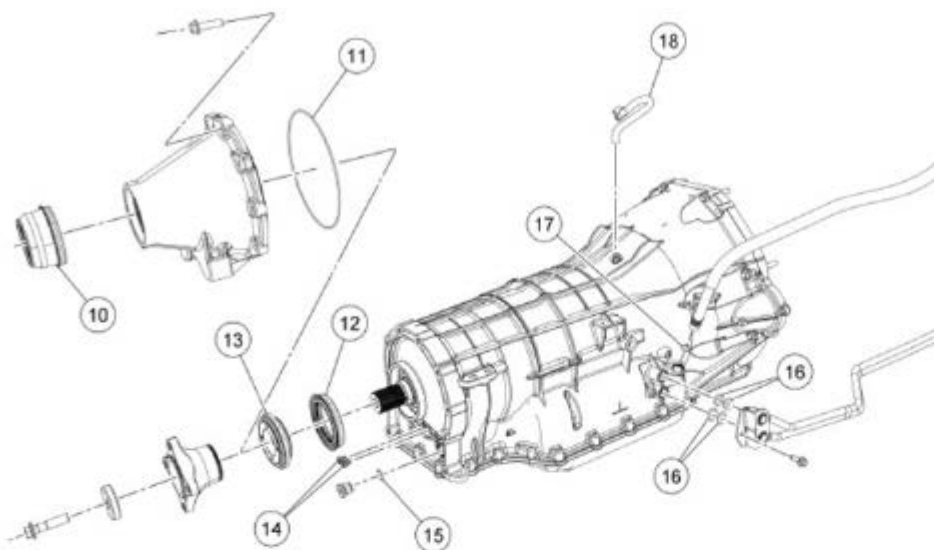
2. *Torque:* 111 lb.ft (150 Nm)

3. *Torque:* 76 lb.ft (103 Nm)



NOTE: Before installing the shield, inspect the bellows for nicks or tears or damage may result.

6.



N0116486

Fig. 30: Exploded View Of Transmission Case (2 Of 2)
 Courtesy of FORD MOTOR CO.

PARTS REFERENCE CHART

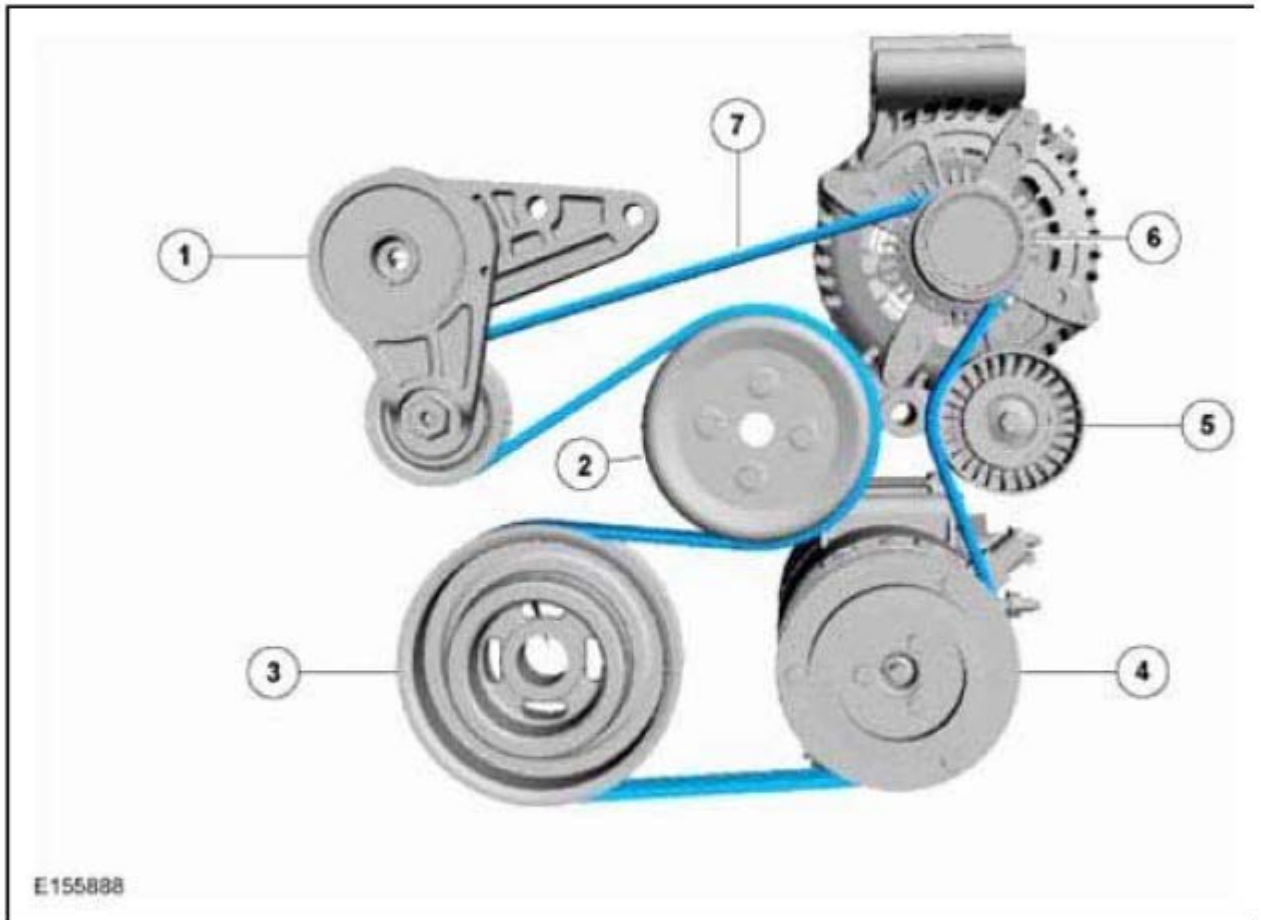
Item	Description
1	Torque converter hub seal
2	Pump body seal
3	Pump housing seal
4	Power Take-Off (PTO) gasket
5	Line pressure tap plug
6	Manual control shaft seal
7	Internal wiring harness bulkhead connector O-ring
8	Transmission fluid pan gasket
9	Drain plug
10	Output shaft seal (slip yoke)
11	Extension housing seal (slip yoke)
12	Output shaft seal (Four-Wheel Drive (4WD) and Rear Wheel Drive (RWD))
13	Output shaft nut
14	Slip yoke bushing oil feed plugs (2 required, for fixed flange and 4WD applications)
15	Park pawl shaft plug O-ring
16	Transmission fluid cooler tube O-rings (4 required)
17	Transmission fluid filler tube O-ring
18	Transmission vent tube

ENGINE PERFORMANCE

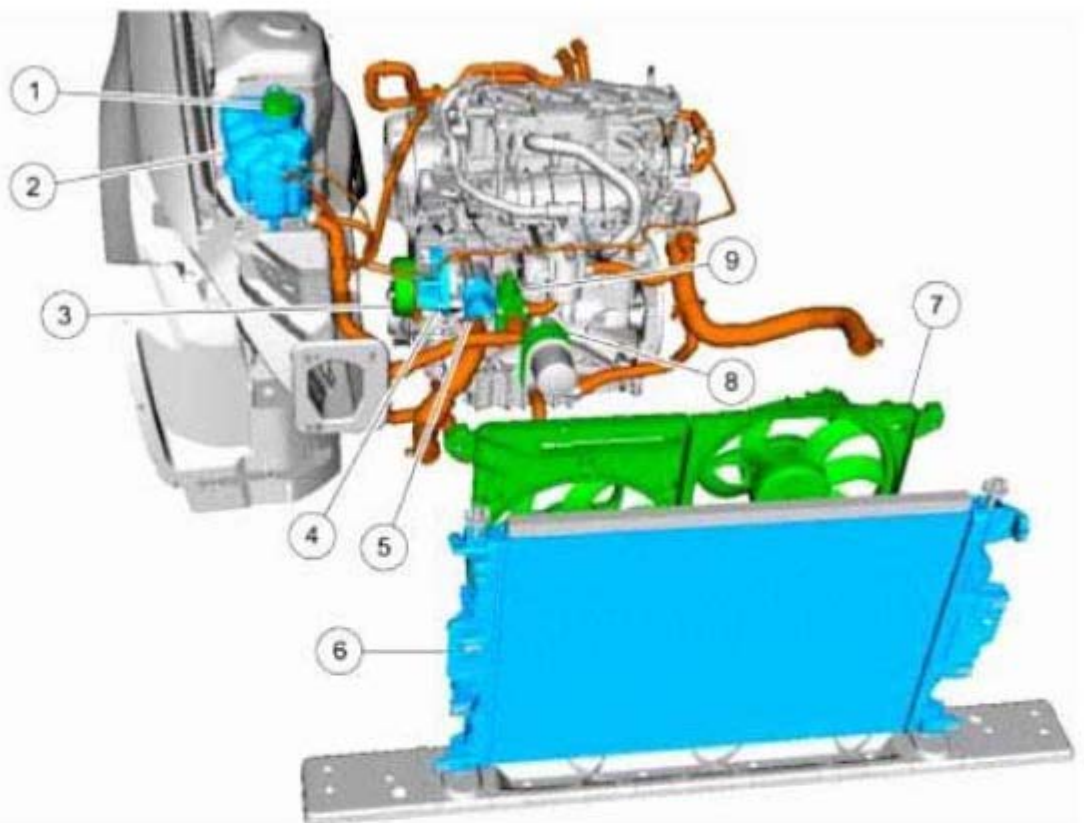
Accessory Drive Belt - 1.6L - Fusion

DESCRIPTION AND OPERATION

ACCESSORY DRIVE - COMPONENT LOCATION



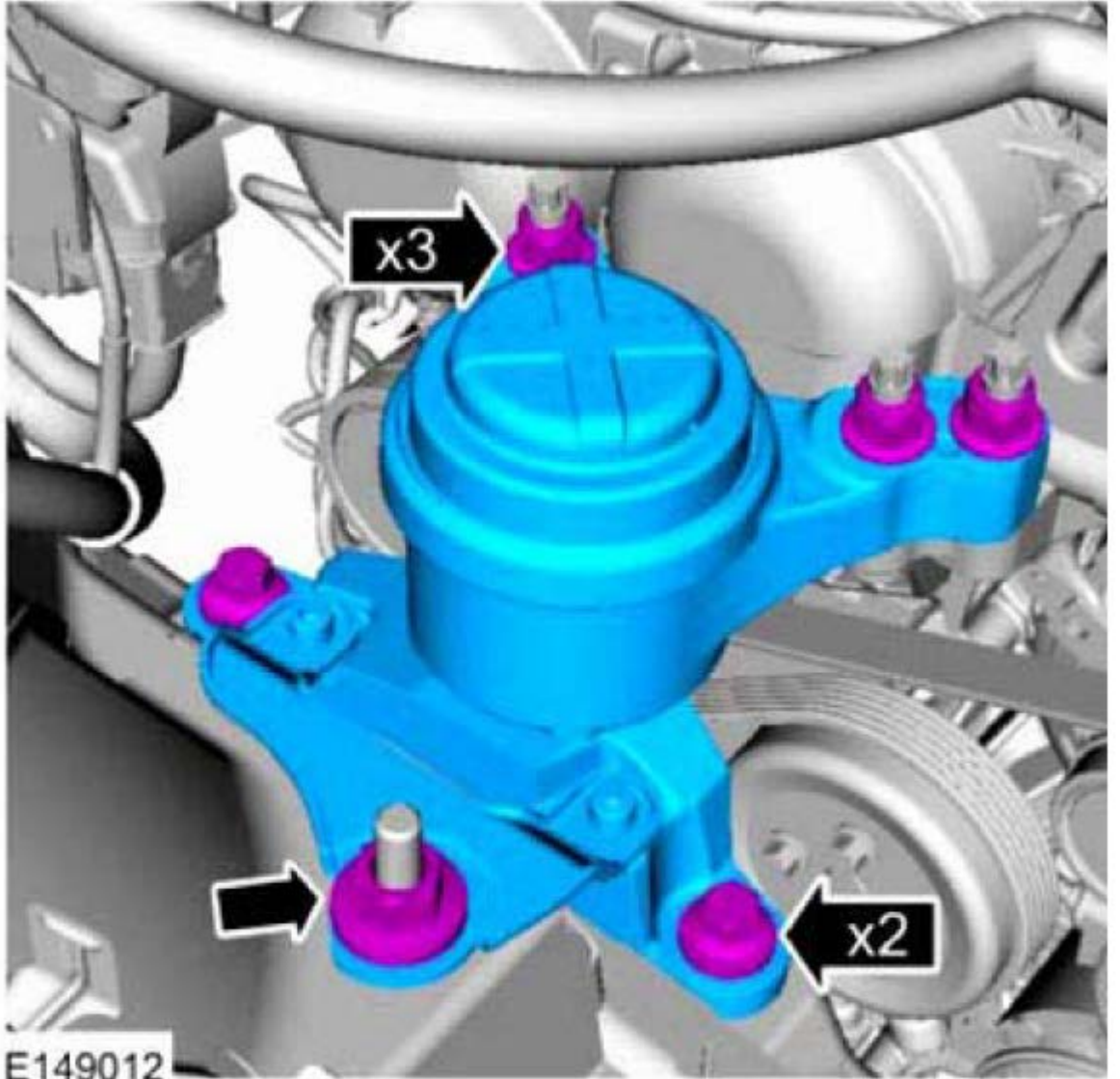
Item	Description
1	Accessory drive belt tensioner
2	Water pump pulley
3	Crankshaft belt pulley
4	Pulley - A/C compressor
5	Drive belt idler pulley assembly
6	Generator pulley



E157296

Item	Description
1	Pressure relief cap
2	Degas bottle
3	Coolant pump pulley
4	Coolant pump
5	Thermostat housing
6	Radiator
7	Cooling fan motor and shroud
8	Oil cooler
9	Coolant shutoff solenoid valve

Cooling System Components - RH side



6.

7.

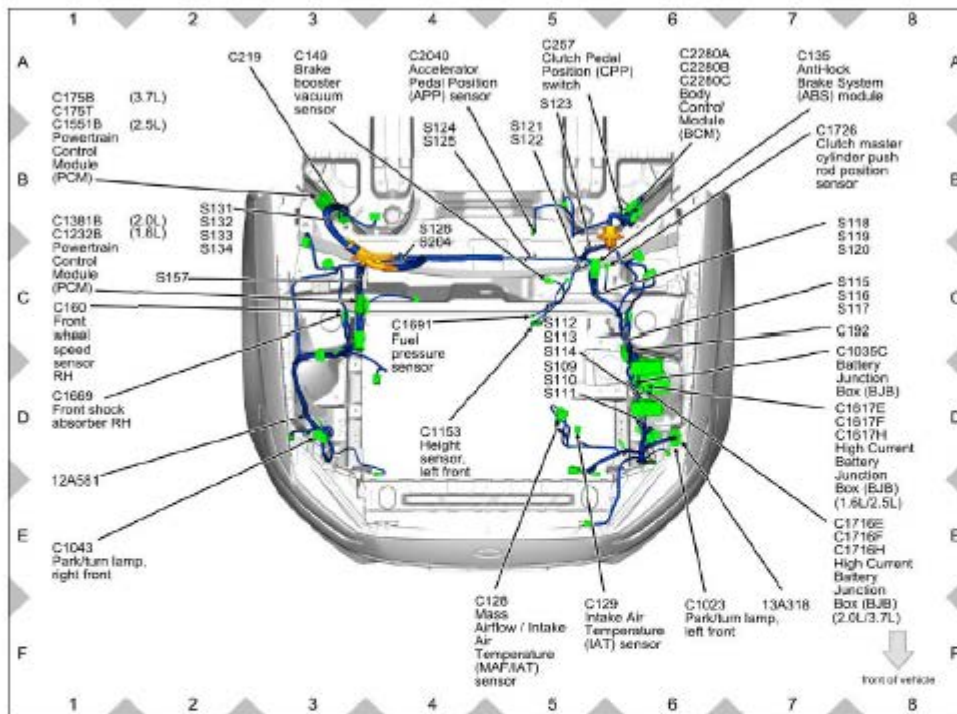


Fig. 10: Engine Compartment Harness - Component Location Views (10 Of 10)
 Courtesy of FORD MOTOR CO.