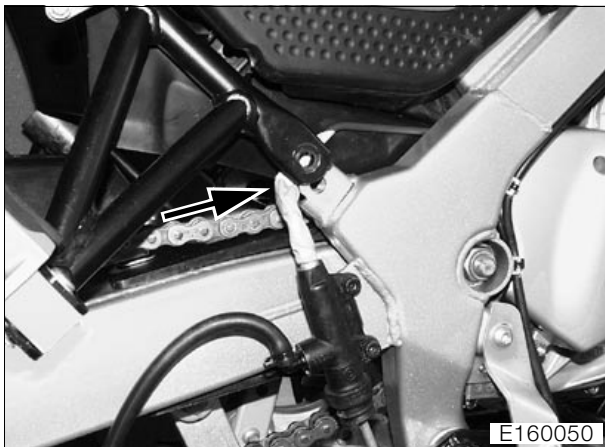


- Remove lower fasteners (1) securing rear frame to main frame.

- Remove upper fasteners (2) securing the rear frame to the main frame and carefully remove the rear frame complete with the tank.
- Remove the fastener securing the rear section of the rear mudguard to the rear frame.
- Remove the fasteners securing the fuel tank to rear frame (3).
- Remove fuel tank.



Caution:

Note the brake line (arrow) at the brake master cylinder. Do not allow the weight of the rear frame to rest on the brake line.

16 11 030 Installing fuel tank

- Installation is the reverse of the removal procedure: pay particular attention to the following.

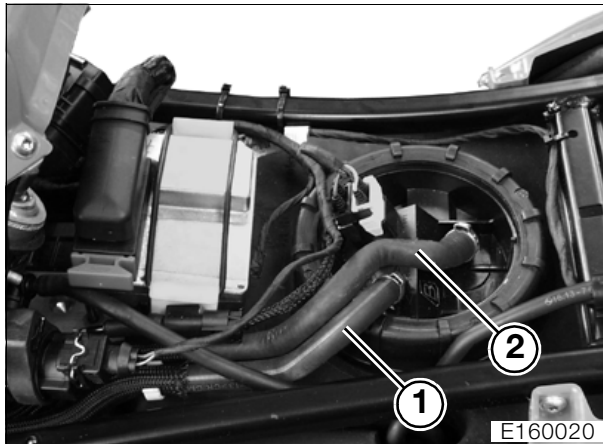


Caution:

Note the brake line at the brake master cylinder. Do not allow the weight of the rear frame to rest on the brake line.



- When installing the fuel tank and the rear frame, make sure that all lines and hoses are routed at the top of the tank.



- Make sure that fuel feed hose (1) and fuel return hose (2) are correctly routed.



Warning:

Do not use screw-type hose clamps on the fuel hoses, because they could damage the hoses and result in a fire hazard.

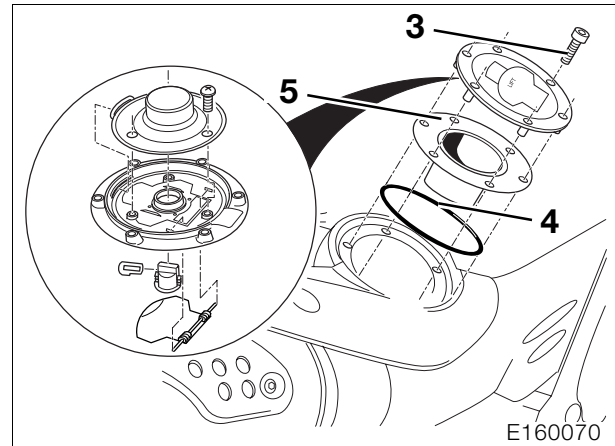
- Close hose clamps with pliers, **BMW No. 13 1 500.**



Tightening torques:

Fuel tank to rear frame	21 Nm
Rear frame to main frame	21 Nm
Silencer to rear frame	21 Nm
Clip for silencer	55 Nm
Exhaust manifold to cylinder head	20 Nm
Tail to rear frame	3 Nm
Brake fluid reservoir for rear brake to rear frame	5 Nm

16 11 211 Removing and installing fuel filler cap



- Remove fasteners (3) holding the fuel filler cap.
- Remove fuel filler cap (3) together with fuel filler neck (5) and sealing ring (4).
- Installation is the reverse of the removal procedure: pay particular attention to the following.
- Check sealing ring (4) for damage, replace if necessary.



Tightening torques:

Fuel filler cap to fuel tank	3 Nm
------------------------------------	------

